

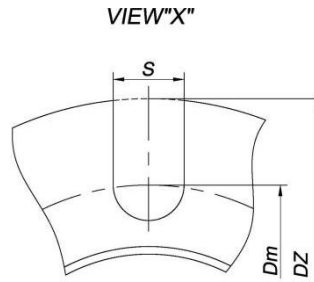
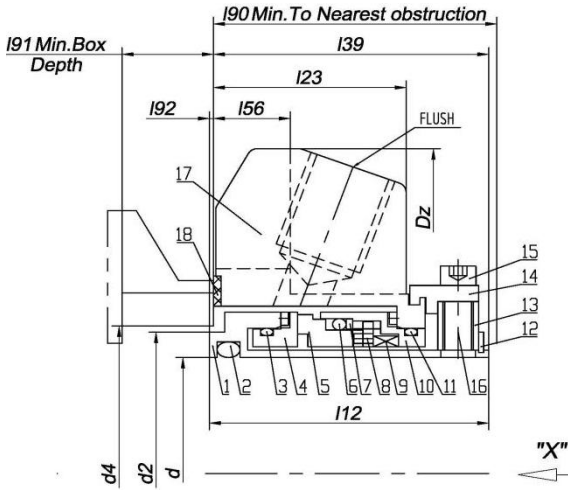
# DEPESEAL MECHANICAL SEAL DEPESEAL mechanical sealing

E-JC5610 type, replacement product of John Crane 5610 type

Temperature: -30~+205°C

Speed: 25m/s

Pressure: 1.3Mpa



- 1 Sleeve
- 2 O-ring
- 3 O-ring
- 4 Rotary ring
- 5 Stationary ring
- 6 O-ring
- 7 Gasket
- 8 Throw-out ring
- 9 Wave spring
- 10 Adaptor
- 11 O-ring
- 12 Snap ring
- 13 Drive ring
- 14 Fixture
- 15 HSH cap screw
- 16 Set screw
- 17 Gland
- 18 Gasket

d	d2	d4 Min	d4 Max	Dz	I12	I23	I39	I56	I90	I91	I92	Dm	S
1	1.375	1.445	1.889	4	1.989	1.353	1.954	0.531	2	0.16	0.035	2.805	0.525
1.125	1.5	—	2.015	4.125	2.062	1.446	2.062	0.531	2.125	0.125	—	2.933	0.525
1.25	1.625	—	2.294	4.25	2.062	1.446	2.062	0.531	2.125	0.125	—	3.213	0.525
1.375	1.75	—	2.421	4.375	2.062	1.446	2.062	0.531	2.125	0.125	—	3.338	0.525
1.5	1.937	2.007	2.68	4.875	2.156	1.487	2.125	0.593	2.187	0.156	0.031	3.599	0.525
1.625	2.062	2.132	2.812	5	2.156	1.487	2.125	0.593	2.187	0.156	0.031	3.786	0.562
1.75	2.17	2.24	2.918	5.25	2.156	1.487	2.125	0.593	2.187	0.156	0.031	3.875	0.562
1.875	2.312	2.382	2.918	5.25	2.156	1.487	2.125	0.593	2.187	0.156	0.031	3.875	0.562
2	2.437	2.507	3.015	5.5	2.375	1.601	2.312	1.063	2.375	0.187	0.062	4	0.562
2.125	2.562	2.632	3.36	5.859	2.375	1.601	2.312	1.063	2.375	0.187	0.062	4.469	0.687
2.25	2.687	2.757	3.485	6.5	2.375	1.601	2.312	1.063	2.375	0.187	0.062	4.566	0.687
2.375	2.812	2.882	3.61	6.5	2.484	1.717	2.466	0.625	2.528	0.143	0.018	4.719	0.687
2.5	3.062	—	3.891	6.75	2.484	1.717	2.562	0.625	2.625	0.125	—	5	0.687
2.625	3.312	—	4.062	6.75	2.5	1.625	2.5	0.625	2.562	0.125	—	5.17	0.687
2.75	3.312	—	4.062	6.75	2.5	1.625	2.5	0.625	2.562	0.125	—	5.17	0.687
2.875	3.375	—	4.186	7	2.5	1.725	2.5	0.625	2.562	0.125	—	5.312	0.687
3	3.625	—	4.469	7.75	2.5	1.787	2.562	0.685	2.625	0.125	—	5.72	0.812
3.125	3.75	3.853	4.6	7.875	2.562	1.593	2.562	—	2.687	0.125	—	5.845	0.812
3.25	3.75	3.853	4.6	7.437	2.562	1.593	2.51	—	2.635	0.177	0.052	5.845	0.812
3.375	4	4.125	4.85	8.125	2.562	1.593	2.562	—	2.687	0.125	—	6.095	0.812
3.5	4.125	4.25	4.975	8.25	2.562	1.593	2.562	—	2.687	0.125	—	6.22	0.812
3.625	4.218	4.343	5.1	8.375	2.562	1.593	2.562	—	2.687	0.125	—	6.25	0.687
3.75	4.343	4.468	5.199	8.75	2.562	1.593	2.562	—	2.687	0.125	—	6.77	0.687
3.875	4.468	4.593	5.375	8.75	2.562	1.593	2.562	—	2.687	0.125	—	6.636	0.812
4	4.593	4.718	5.5	9	2.562	1.593	2.562	—	2.687	0.125	—	6.761	0.812
4.125	4.718	4.843	5.625	9	2.562	1.593	2.562	—	2.687	0.125	—	6.886	0.812
4.25	4.843	4.968	5.75	9.25	2.562	1.593	2.562	—	2.687	0.125	—	7.011	0.812
4.5	5.093	5.218	6	9.5	2.562	1.593	2.562	—	2.687	0.125	—	7.261	0.812
4.75	5.343	5.468	6.313	10.375	2.562	1.593	2.562	—	2.687	0.125	—	7.574	0.812
5	5.843	5.968	7.26	12	2.953	1.749	3.043	—	3.168	0.125	—	10	0.812
5.25	6.093	6.218	7.51	12.25	2.953	1.749	3.043	—	3.168	0.125	—	10.25	0.812
5.5	6.343	6.468	8	12.687	2.953	1.749	3.043	—	3.168	0.125	—	10.5	0.937

d	d2	d4 Min	d4 Max	Dz	I12	I23	I39	I56	I90	I91	I92	Dm	S
24	34.9	36.7	48	101.6	50.5	34.4	49.6	13.5	50.8	4	0.9	71.2	13.3
25	34.9	36.7	48	101.6	50.5	34.4	49.6	13.5	50.8	4	0.9	71.2	13.3
28	38.1	—	51.2	104.8	52.4	36.7	52.4	13.5	54	3.2	—	74.5	13.3
30	40	—	56.5	108	52.4	36.7	52.4	13.5	54	3.2	—	79.9	13.3
32	41.3	—	58.3	108	52.4	36.7	52.4	13.5	54	3.2	—	81.6	13.3
33	44.5	—	61.5	111.1	52.4	36.7	52.4	13.5	54	3.2	—	84.8	13.3
35	44.5	—	61.5	111.1	52.4	36.7	52.4	13.5	54	3.2	—	84.8	13.3
38	49.2	51	68.1	123.8	54.8	37.8	54	15.1	55.5	4	0.8	91.4	13.3
40	52.4	54.2	71.4	127	54.8	37.8	54	15.1	55.5	4	0.8	95.7	14.3
43	55.1	56.9	74.1	133.4	54.8	37.8	54	15.1	55.5	4	0.8	98.4	14.3
45	55.1	56.9	74.1	133.4	54.8	37.8	54	15.1	55.5	4	0.8	98.4	14.3
48	58.7	60.5	74.1	133.4	54.8	37.8	54	15.1	55.5	4	0.8	98.4	14.3
50	61.9	63.7	76.6	139.7	60.3	40.7	58.7	27	60.3	4.7	1.6	101.6	14.3
53	65.1	66.9	85.3	148.8	60.3	40.7	58.7	15.1	60.3	4.7	1.6	113.5	17.4
55	66.7	75	85.3	148.8	60.3	40.7	58.7	15.1	60.3	4.7	1.6	113.5	17.4
58	68.2	70	88.5	165.1	60.3	40.7	58.7	15.1	60.3	4.7	1.6	116	17.4
60	71.4	73.2	91.7	165.1	63.1	43.6	62.6	15.9	60.3	3.6	1.6	119.9	17.4
63	77.8	—	98.8	171.5	63.1	43.6	65.1	15.9	64.2	3.2	0.5	127	17.4
65	77.8	—	98.8	171.5	63.1	43.6	65.1	15.9	66.7	3.2	—	127	17.4
68	84.1	—	103.2	171.5	63.5	41.3	63.5	15.9	65.1	3.2	—	131.3	17.4
70	84.1	—	103.2	171.5	63.5	41.3	63.5	15.9	65.1	3.2	—	131.3	17.4
75	92.1	—	113.5	196.9	63.5	45.4	65.1	17.4	66.7	3.2	—	145.3	20.6
80	95.3	97.9	116.8	188.9	65.1	40.5	63.8	—	66.9	4.5	1.3	148.4	20.6
85	101.6	104.8	123.2	206.4	65.1	40.5	65.1	—	68.3	3.2	—	154.8	20.6
90	107.1	110.3	129.5	212.7	65.1	40.5	65.1	—	68.3	3.2	—	158.8	17.4
95	110.3	113.5	132.1	222.3	65.1	40.5	65.1	—	68.3	3.2	—	172	17.4
100	116.7	119.8	139.7	228.6	65.1	40.5	65.1	—	68.3	3.2	—	171.7	20.6
105	119.8	123	142.9	228.6	65.1	40.5	65.1	—	68.3	3.2	—	174.9	20.6
110	129.4	132.5	152.4	241.3	65.1	40.5	65.1	—	68.3	3.2	—	184.4	20.6
115	129.4	132.5	152.4	241.3	65.1	40.5	65.1	—	68.3	3.2	—	184.4	20.6
120	135.7	138.9	160.4	263.5	65.1	40.5	65.1	—	68.3	3.2	—	192.4	20.6
125	148.4	151.6	184.4	304.8	75	44.4	77.3	—	80.5	3.2	—	254	20.6
130	154.8	157.9	190.8	311.2	75	44.4	77.3	—	80.5	3.2	—	260.4	20.6
135	161.1	164.3	203.2	322.3	75	44.4	77.3	—	80.5	3.2	—	266.7	23.8
140	161.1	164.3	203.2	322.3	75	44.4	77.3	—	80.5	3.2	—	266.7	23.8

TEL: 86-0335-8509423

MOB: 86-18630350089

E-MAIL:sales@depeseal.com

http://www.depeseal.com

ADD: 13-104, 29 Longhai Road, Economic and Technological Development Zone, Qinhuangdao City